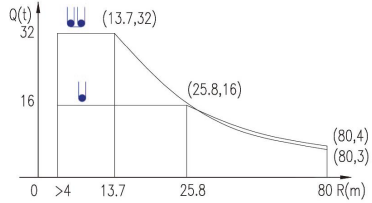
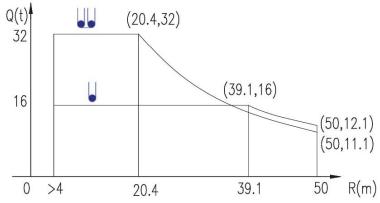
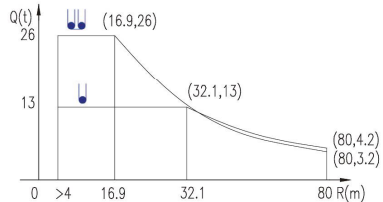
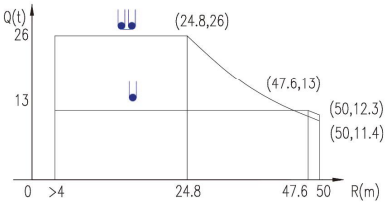


载荷曲线 Load Chart

| R (m) | 倍率 Fall | R(Cmax) (m) | Cmax (t) | 30 | 40 | 45 | 50 | 55 | 60 | 65 | 70 | 75 | 80 |
|-------|---------|-------------|----------|------|------|------|------|-----|-----|-----|-----|-----|----|
| 80 | ● | 25.8 | 16 | 13.4 | 9.6 | 8.3 | 7.3 | 6.5 | 5.8 | 5.3 | 4.8 | 4.4 | 4 |
| | ●● | 13.7 | 32 | 12.4 | 8.6 | 7.3 | 6.3 | 5.5 | 4.8 | 4.3 | 3.8 | 3.4 | 3 |
| 70 | ● | 30.6 | 16 | 16 | 11.7 | 10.2 | 9 | 8.1 | 7.3 | 6.6 | 6 | | |
| | ●● | 16.1 | 32 | 15 | 10.7 | 9.2 | 8 | 7.1 | 6.3 | 5.6 | 5 | | |
| 60 | ● | 36.1 | 16 | 16 | 14.2 | 12.4 | 11 | 9.9 | 8.9 | | | | |
| | ●● | 18.9 | 32 | 18.6 | 13.2 | 11.4 | 10 | 8.9 | 7.9 | | | | |
| 50 | ● | 39.1 | 16 | 16 | 15.6 | 13.6 | 12.1 | | | | | | |
| | ●● | 20.4 | 32 | 20.4 | 14.6 | 12.6 | 11.1 | | | | | | |



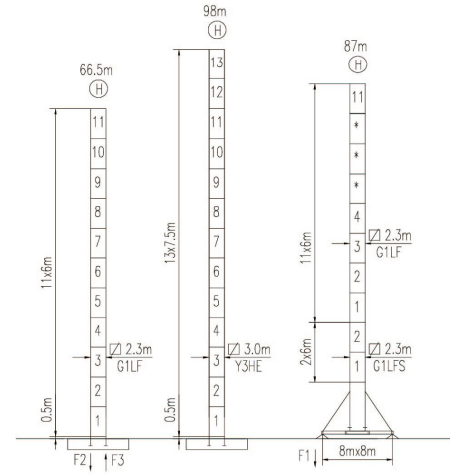
| R (m) | 倍率 Fall | R(Cmax) (m) | Cmax (t) | 30 | 40 | 45 | 50 | 55 | 60 | 65 | 70 | 75 | 80 |
|-------|---------|-------------|----------|------|------|------|------|------|-----|-----|-----|-----|-----|
| 80 | ● | 32.1 | 13 | 13 | 10 | 8.7 | 7.7 | 6.8 | 6.1 | 5.5 | 5 | 4.6 | 4.2 |
| | ●● | 16.9 | 26 | 13.3 | 9 | 7.7 | 6.7 | 5.8 | 5.1 | 4.5 | 4 | 3.6 | 3.2 |
| 70 | ● | 37.6 | 13 | 13.0 | 12.1 | 10.6 | 9.3 | 8.3 | 7.5 | 6.8 | 6.2 | | |
| | ●● | 19.8 | 26 | 15.7 | 11.1 | 9.6 | 8.3 | 7.3 | 6.5 | 5.8 | 5.2 | | |
| 60 | ● | 44.1 | 13 | 13 | 13 | 12.7 | 11.3 | 10.1 | 9.1 | | | | |
| | ●● | 23.1 | 26 | 19 | 13.4 | 11.7 | 10.3 | 9.1 | 8.1 | | | | |
| 50 | ● | 47.6 | 13 | 13 | 13 | 12.3 | | | | | | | |
| | ●● | 24.8 | 26 | 20.7 | 14.7 | 12.7 | 11.4 | | | | | | |



特殊载荷可定制，请咨询
Special data is available .Additional Loads on request

JLP620/32t/26t

自立塔身高度 Self-supporting Tower Height



| | | |
|----|------|------|
| | ● | ■ |
| F1 | 132t | 118t |
| | 173 | |

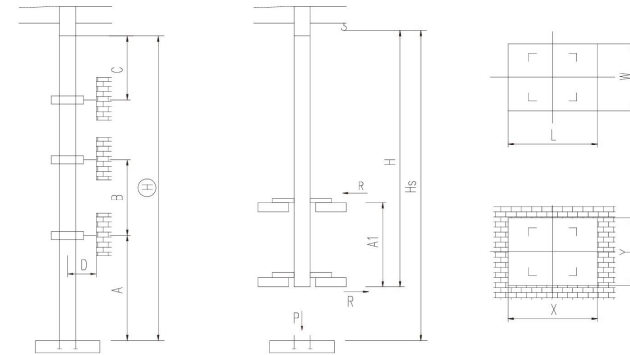
| | | |
|----|------|------|
| | ● | ■ |
| F2 | 290t | 294t |
| F3 | 190t | 209t |
| | 141t | |

■ 工作状态支反力 In service reaction ■ 非工作状态支反力 out of service reaction
● 整机自由高度重量 (不含平衡重及压重) Total weight of free standing crane (excludes counter weight & ballast)

附着塔机 Braced Crane

2.3m

内爬塔机 Internal Climbing Crane



| 塔身 Mast | A (m) | B(m) | C (m) | D (m) | H(m) |
|---------|-------|------|-------|-------|------|
| G1LF | 52 | 36 | 44 | >4 | 220* |

附着层数 Number of tie collars = (H-A-C) / B + 1

| 塔身 Mast | Hs(m) | H(m) | A1(m) | P(t) | R(t) | X(m) | Y(m) | L(m) | W(m) |
|---------|-------|------|-------|------|------|------|------|------|------|
| G1LF | | | | * | | | | | |

JLP620/32t/26t