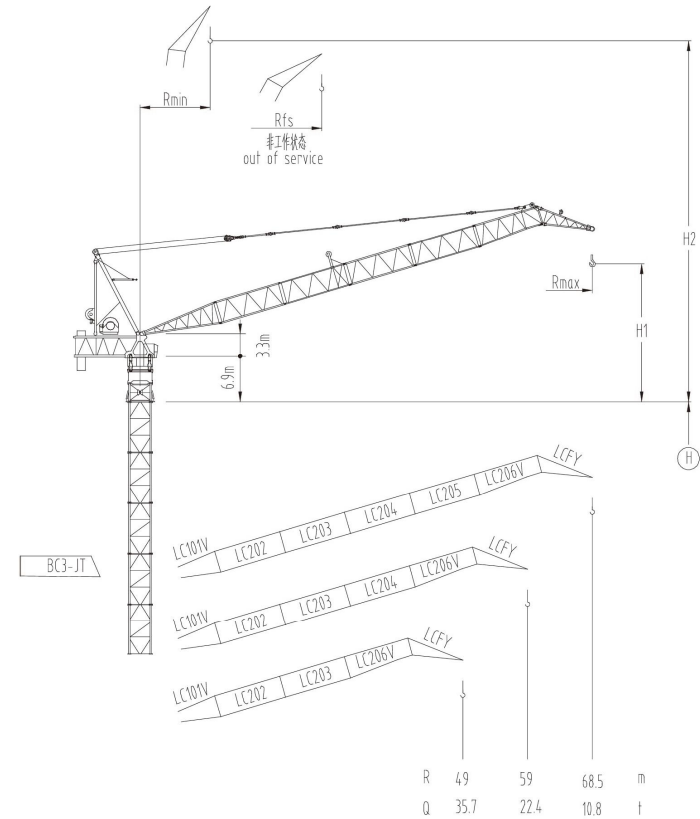
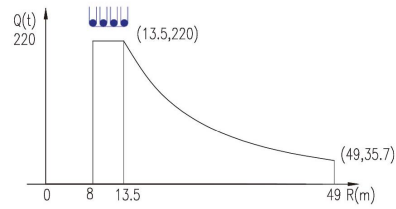
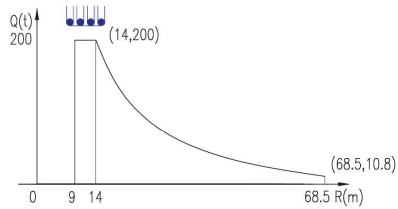


Rmax m	H1 m	Rmin m	H2 m	Rfs m
68.5	18.2	9	72.4	42
59	13.8	8.5	62.2	40
49	11.7	8	51.9	49



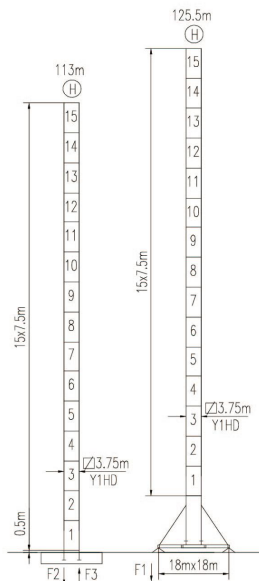
载荷曲线 Load Chart

R (m)	倍率 Fall	R(Cmax) (m)	Cmax (t)	15	17.5	20	25	30	35	40	45	47.5	50	55	57.5	60	65	68.5
68.5	14	14	200	184	153	129	95.7	73.6	57.7	45.8	36.6	32.7	29.2	23.1	20.4	18	13.6	10.8
59	14.3	14.3	200	191	158	134	101	78.6	61.6	49.3	40	36	32.6	26.5	23.9			
49	13.5	13.5	220	194	161	138	103	80.2	63.9	51.5	41.9	37.9						



特殊载荷可定制, 请咨询
Special data is available .Additional Loads on request

自立塔身高度 Self-supporting Tower Height



F1	380t	450t
		*
F2	932t	681t
F3	482t	260t
	665t	

■ 工作状态支反力 In service reaction
 ■ 非工作状态支反力 out of service reaction
 ■ 整机自由高度重量 (不含平衡重及压重)
 Total weight of free standing crane (excludes counter weight & ballast)

JLDF2860/220t

主要性能参数 Specifications

机构 Mechanism	m/min		电动机 Motor kW
	t		
350LF220R16	0-4.8	220	1600m
	0-6	176	
	0-12	88	
350LF315R16	0-6.4	220	1600m
	0-8	176	
	0-16	88	
350RA220R380	4 min		220
18RFCV	0 - 0.3 rpm		4x18.5
RTT	*		

电压 Voltage	
380V (±10%)	*

*与制造商联系咨询 Contact us, please

本技术参数不受法律约束, 技术信息请详见相应说明书。
Specifications and data are not legally binding. For any technical information, please refer to corresponding instructions.



hnjlk.com

保留修改权力, 恕不另行通知 | Subject to modifications