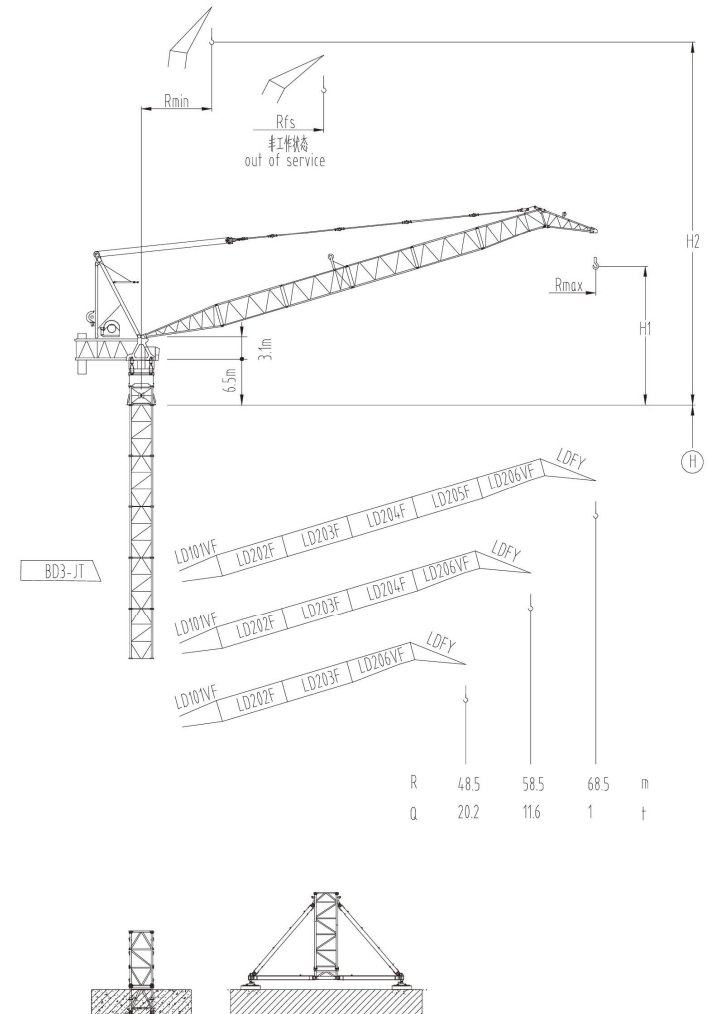
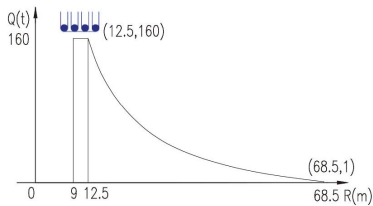
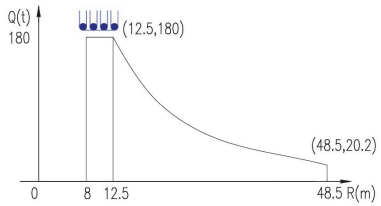


Rmax m	H1 m	Rmin m	H2 m	Rfs m
68.5	18.2	9	72.4	42
58.5	13.8	8.5	62.2	40
48.5	11.7	8	51.9	49



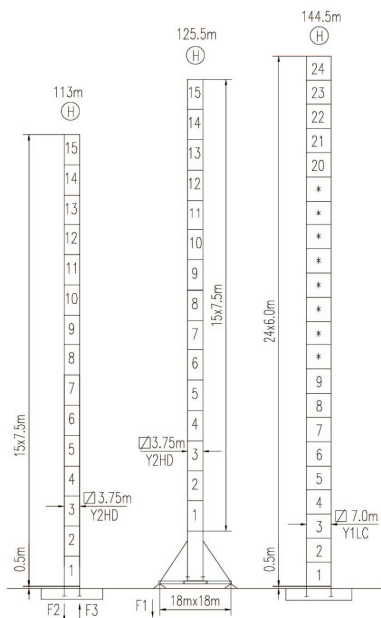
### 载荷曲线 Load Chart

R (m)	倍率 Fall	R(Cmax) (m)	Cmax (t)	15	17.5	20	25	30	35	40	45	48.5	50	55	58.5	60	65	68.5
68.5	4	12.5	160	128	105	87.1	62.5	46.6	34.9	26.3	19.5	16.8	14	9.5	7.2	5.8	2.8	1
58.5	3	13	160	135	111	93.4	68.2	51.5	39.5	30.5	23.5	21.2	18	13.5	11.6			
48.5	2	12.5	180	142	116	97.3	70.7	53.1	40.5	32.1	24.9	20.2						



特殊载荷可定制，请咨询  
Special data is available. Additional Loads on request

### 自立塔身高度 Self-supporting Tower Height



	●	■
F1	352t	367t
		*

	●	■
F2	715t	1017t
F3	298t	704t
		775t

■ 工作状态支反力 In service reaction  
 ■ 非工作状态支反力 out of service reaction  
 ● 整机自由高度重量 (不含平衡重及压重)  
 Total weight of free standing crane (excludes counter weight & ballast)

JLDF2250/180t

### 主要性能参数 Specifications

机构 Mechanism	性能参数		电动机 Motor		
	m/min	t			
▲ ● ▼	300LF220R16	0-5.2	180	1600m	220
		0-6.5	160		
		0-13	80		
▲ ● ▼	300LF315R16	0-7.7	180	1600m	315
		0-9.5	160		
		0-19	80		
▶	300RA110R380	4 min			110
⊙	15RFCV	0 - 0.3 rpm			3x15
⊙	RTT			*	

电压 Voltage	
380V (±10%)	*

\*与制造商联系咨询 Contact us, please

本技术参数不受法律约束，技术信息请详见相应说明书。  
Specifications and data are not legally binding. For any technical information, please refer to corresponding instructions.

3200系列



hnjzk.com

保留修改权力，恕不另行通知 | Subject to modifications