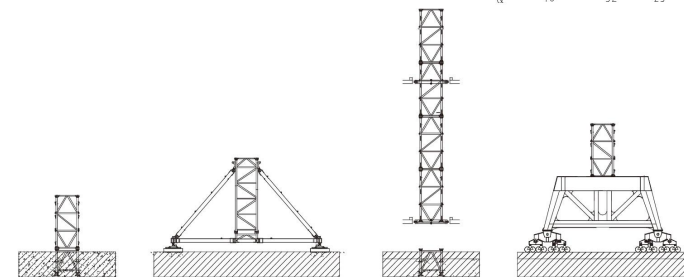
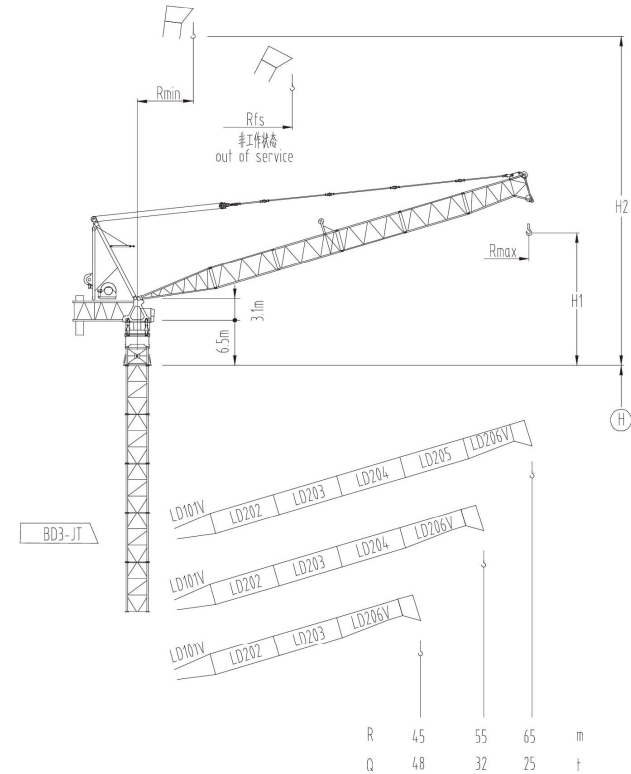
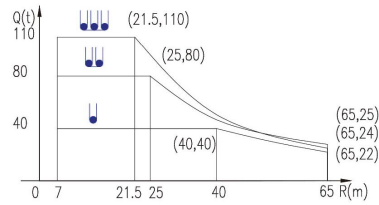
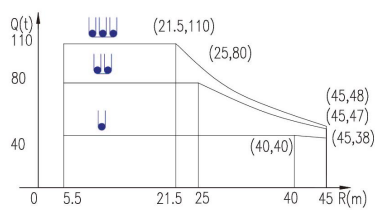


Rmax m	H1 m	Rmin m	H2 m	Rfs m
65	21	7	67.1	38.5
55	22.1	6.5	57.9	35
45	15.3	5.5	48.7	30



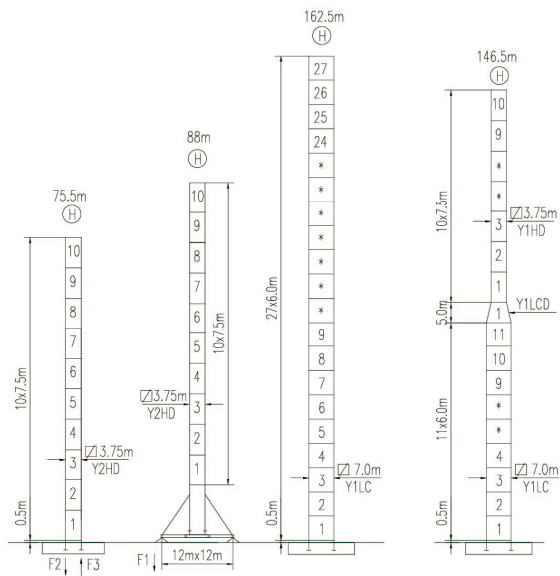
载荷曲线 Load Chart

R (m)	倍率 Fall	R(Cmax) (m)	Cmax (t)	25	30	35	40	45	50	55	60	65
65	●	40	40	40	40	40	40	38	34.2	30	24	22
		25	80	80	73	64	54	47	40	32	26	25
55	●●●	21.5	110	91.3	79	65	55	48	41	32	25	24
		40	40	40	40	40	40	38	34.2	30		
45	●●●●	21.5	110	91.3	79	65	55	48	41	32		
		40	40	40	40	40	40	38				
	●●●●●	25	80	80	73	64	54	47				
		21.5	110	91.3	79	65	55	48				



特殊载荷可定制, 请咨询
Special data is available. Additional Loads on request

自立塔身高度 Self-supporting Tower Height



	●	■
F1	294t	234t
	*	

	●	■
F2	700t	534t
F3	415t	289t
	446t	

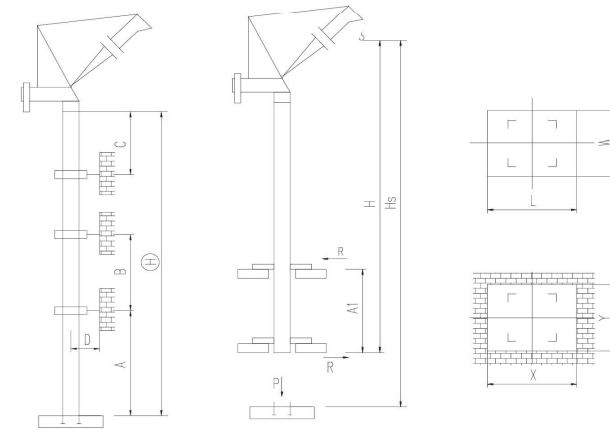
■ 工作状态支反力 In service reaction
 ■ 非工作状态支反力 out of service reaction
 ● 整机自由高度重量 (不含平衡重及压重)
 Total weight of free standing crane (excludes counter weight & ballast)

JLD2400/110t

附着塔机 Braced Crane

□ 3.75m

内爬塔机 Internal Climbing Crane



塔身节 Mast	A (m)	B(m)	C (m)	D (m)	H(m)
Y2HD	57	40	48	>5.5	264

附着层数 Number of tie collars = (H-A-C) / B + 1

塔身节 Mast	Hs(m)	H(m)	A1(m)	P(t)	R(t)	X(m)	Y(m)	L(m)	W(m)
Y2HD	*								

主要性能参数 Specifications

机构 Mechanism	●		●●		●●●		电动机 Motor kW		
	m/min	t	m/min	t	m/min	t			
▲ ● ▼	250LF160R16	0-20	40	0-10	80	0-6.7	110	1600m	160
		0-17	32	0-8.5	64	0-8.4	88		
		0-34	16	0-17	32	0-16.5	44		
▲ ● ▼	250LF220R16	0-27	40	0-13.5	80	0-9	110	1600m	220
		0-33	32	0-16.5	64	0-11	88		
		0-66	16	0-33	32	0-22	45		
▲ ● ▼	300RA110H80	4 m/min						110	
▲ ● ▼	15RFCV	0 - 0.3 rpm						3x15	
▲ ● ▼	RTT	*							

电压 Voltage	kVA
380V (±10%)	*

*与制造商联系咨询 Contact us, please

本技术参数不受法律约束, 技术信息详见相应说明书。
Specifications and data are not legally binding. For any technical information, please refer to corresponding instructions.



hnjzk.com

保留修改权力, 恕不另行通知 | Subject to modifications

3200系列

3200系列