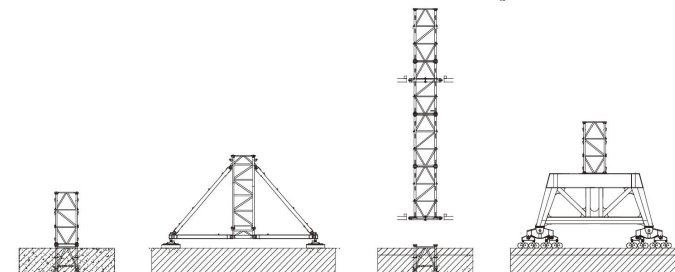
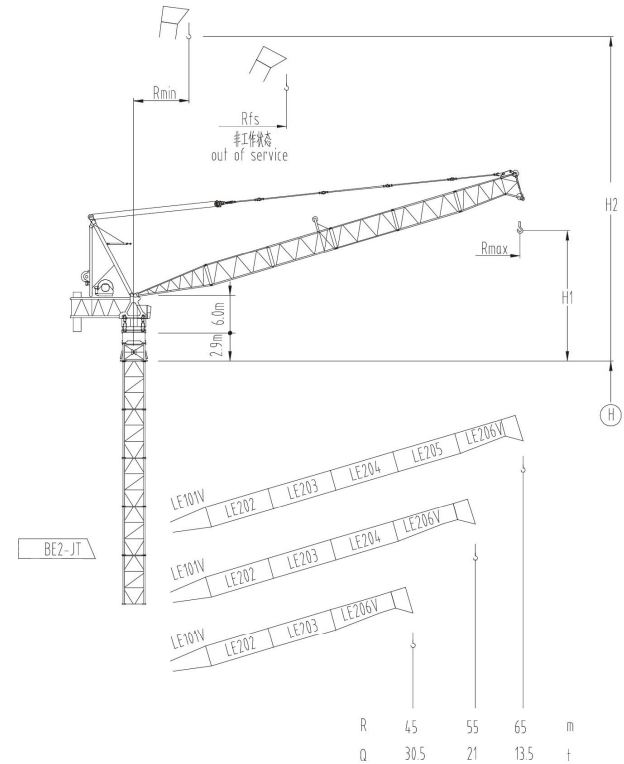


2800系列

JLD1700

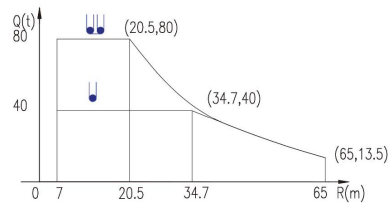
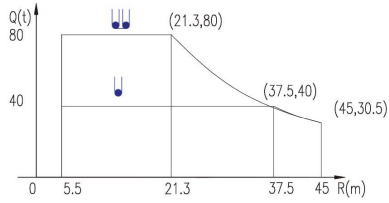
80t

Rmax m	H1 m	Rmin m	H2 m	Rfs m
65	20.8	7	71.4	38.5
55	18.1	6.5	61.4	35
45	15.3	5.5	51.4	30



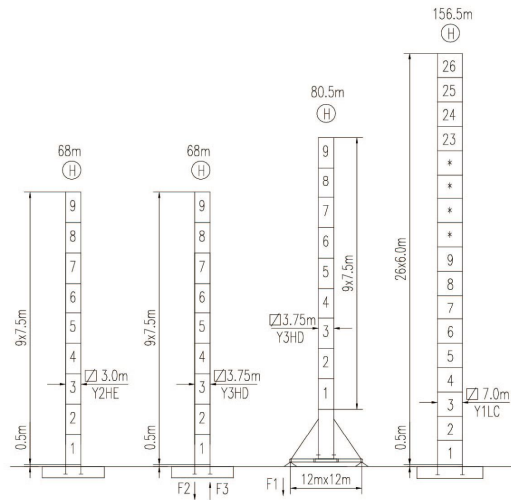
载荷曲线 Load Chart

R (m)	倍率 Fall	R(Cmax) (m)	Cmax (t)	25	30	35	40	45	50	55	60	65
65	●	34.7	40	40	40	40	34.5	29	24.5	20.2	17	13.5
	●●	20.5	80	64	51	42	34.5	29	24.5	20.2	17	13.5
55	●	37.5	40	40	40	40	36	30.5	25.5	21		
	●●	21.3	80	66	53	43.5	36	30.5	25.5	21		
45	●	37.5	40	40	40	40	36	30.5				
	●●	21.3	80	66	53	43.5	36	30.5				



特殊载荷可定制, 请咨询
Special data is available. Additional Loads on request

自立塔身高度 Self-supporting Tower Height



	●	■
F1	250t	230t
		*

	●	■
F2	555t	522t
F3	285t	292t
		426t

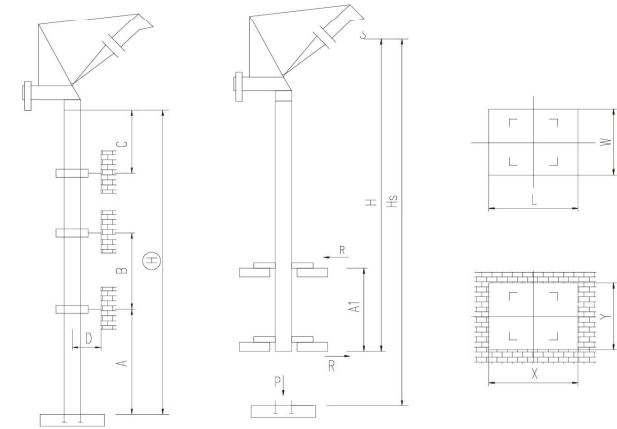
■ 工作状态支反力 In service reaction
 ■ 非工作状态支反力 out of service reaction
 ● 整机自由高度重量 (不含平衡重及压重)
 Total weight free standing crane (excludes counter weight & ballast)

JLD1700/80t

附着塔机 Braced Crane

□ 3.0m

内爬塔机 Internal Climbing Crane



塔身 Mast	A (m)	B (m)	C (m)	D (m)	H (m)
Y2HE	49	34	42	>5.5	400*

附着层数 Number of tie collars = (H-A-C) / B + 1

塔身 Mast	Hs (m)	H (m)	A1 (m)	P (t)	R (t)	X (m)	Y (m)	L (m)	W (m)
Y2HE					*				

主要性能参数 Specifications

机构 Mechanism	●		●●		电动机 Motor kW	
	m/min	t	m/min	t		
250LF110R16	0-15	40	0-7.6	80	1600m	110
	0-18.5	32	0-9.5	64		
	0-37	16	0-19	32		
250LF160R16	0-22	40	0-11	80	1600m	160
	0-27	32	0-13.5	64		
	0-54	16	0-27	32		
300RA90R380	4 min					90
15RF CV	0-0.3 rpm					3x15
RTT					*	

电压 Voltage	kVA
380V (±10%)	*

*与制造商联系咨询 Contact us, please

本技术参数不受法律约束, 技术信息请详见相应说明书。
Specifications and data are not legally binding. For any technical information, please refer to corresponding instructions.



hnjzk.com

保留修改权力, 恕不另行通知 | Subject to modifications